

**Actual Size:** 60"L x 30"W x 21"H • (152.4cm x 76.2cm x 53.34cm)

**Shipping Size:** 63"L x 33"W x 29"H • (160.2cm x 83.9cm x 73.7cm)

**Net Weight:** 160lbs • (72.6kg)

**Shipping Weight:** 220lbs • (99.8kg)

**Floor Dimensions:** 46"L x 20"W • (116.9cm x 50.8cm)

**Unoccupied Water Capacity:** 70gal • (264.979L)

## Included Features (Soaking)

1. Acrylic Tub Shell
  - Gloss white finish
  - Fiberglass gelcoat reinforced
2. Stainless steel frame with adjustable leveling Legs.
3. Unique tempered glass inward swing door with a brushed finish aluminum frame.
4. 2" Brass Drain with overflow

## Jetting & Therapy Options

1. Air Massage
2. Hydro Massage
3. Microbubble Therapy
4. Soaking Option (No Jets)



## Jetting & Therapy Systems

### Air Massage

- Air Massage Pump
- 3 Speed Pump
- Auto-purge (Activates 20 minutes after pump shutdown)
- 20 jets
- On/Off push control

### Hydro Massage

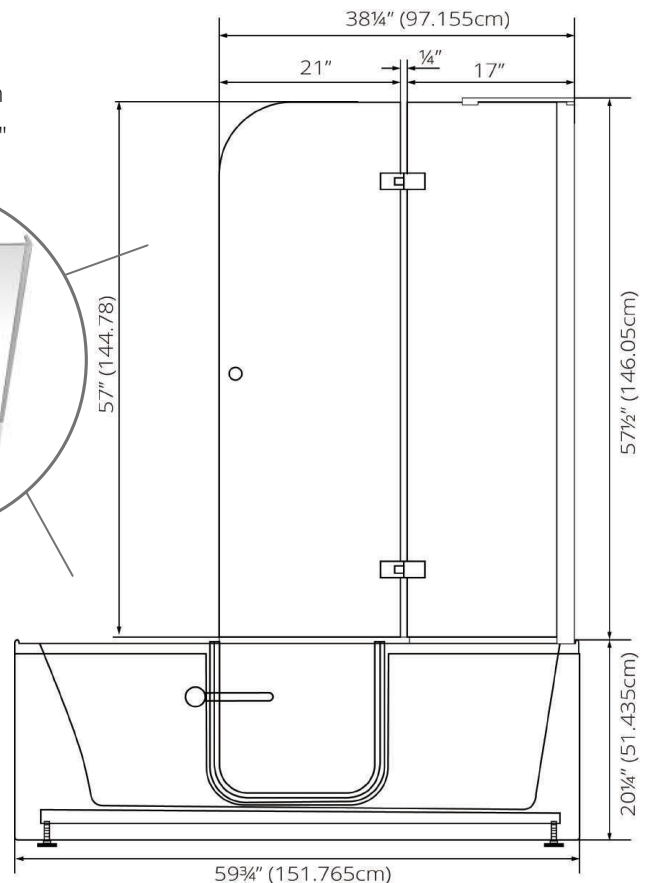
- Hydro Massage Pump
- Hydro Massage Intensity Dial Control
- In-line Water Heater
- Ozone Sterilization
- 11 jets
- On/Off Push Control

### Microbubble Therapy

- Air Pressure Pump
- Pressure Tank
- On/Off push control

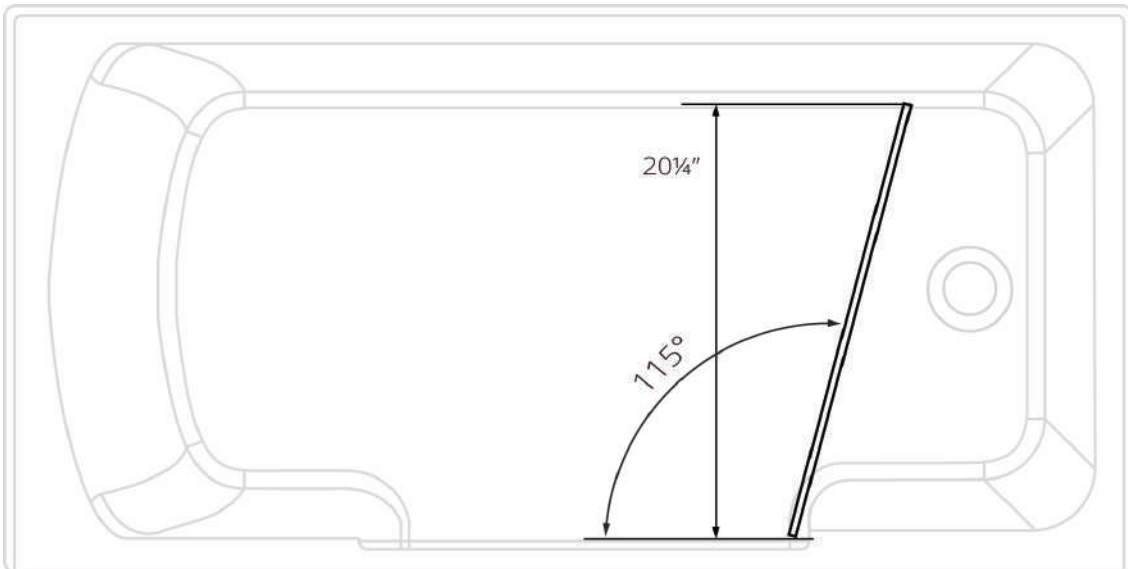
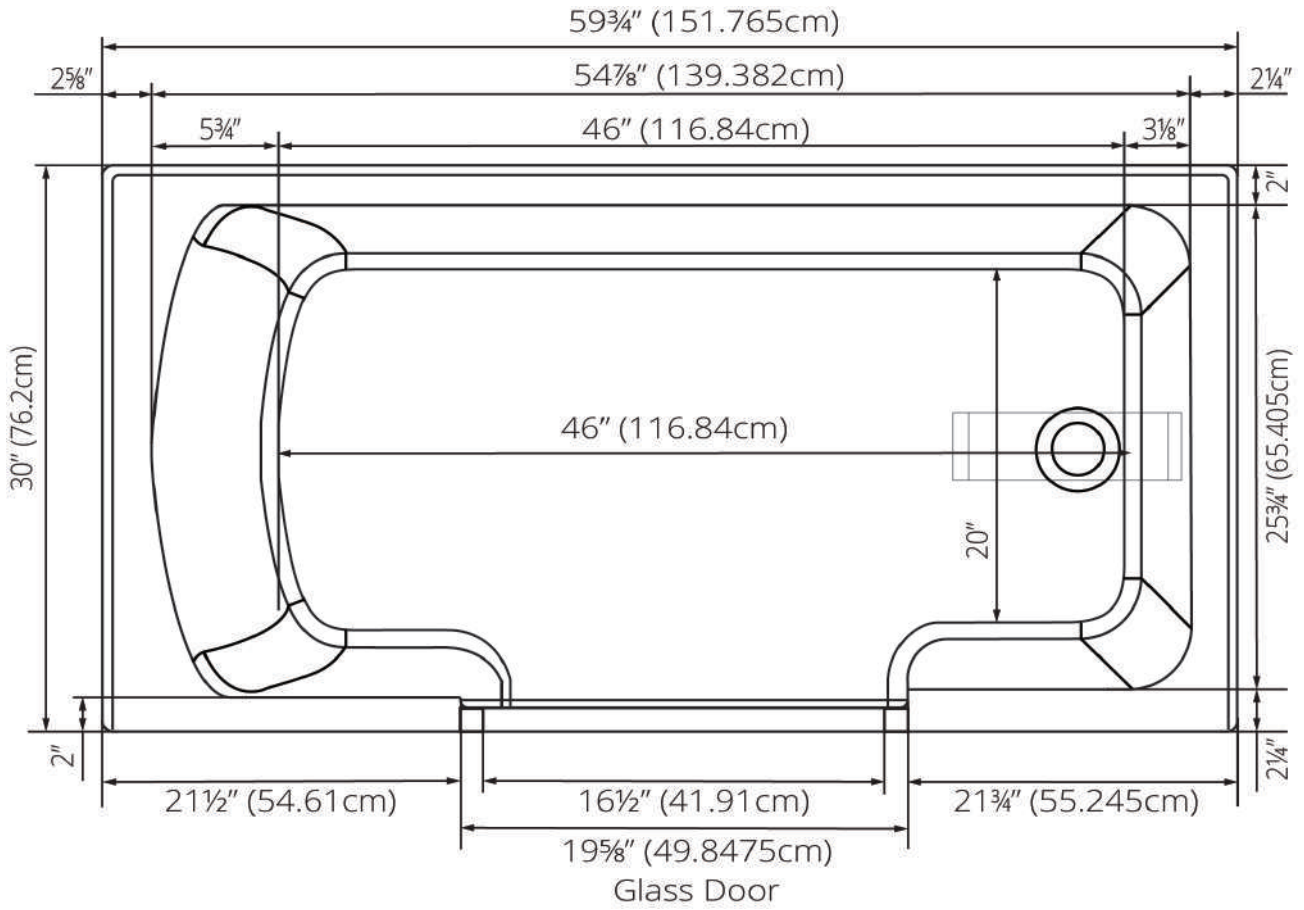
### Optional Feature

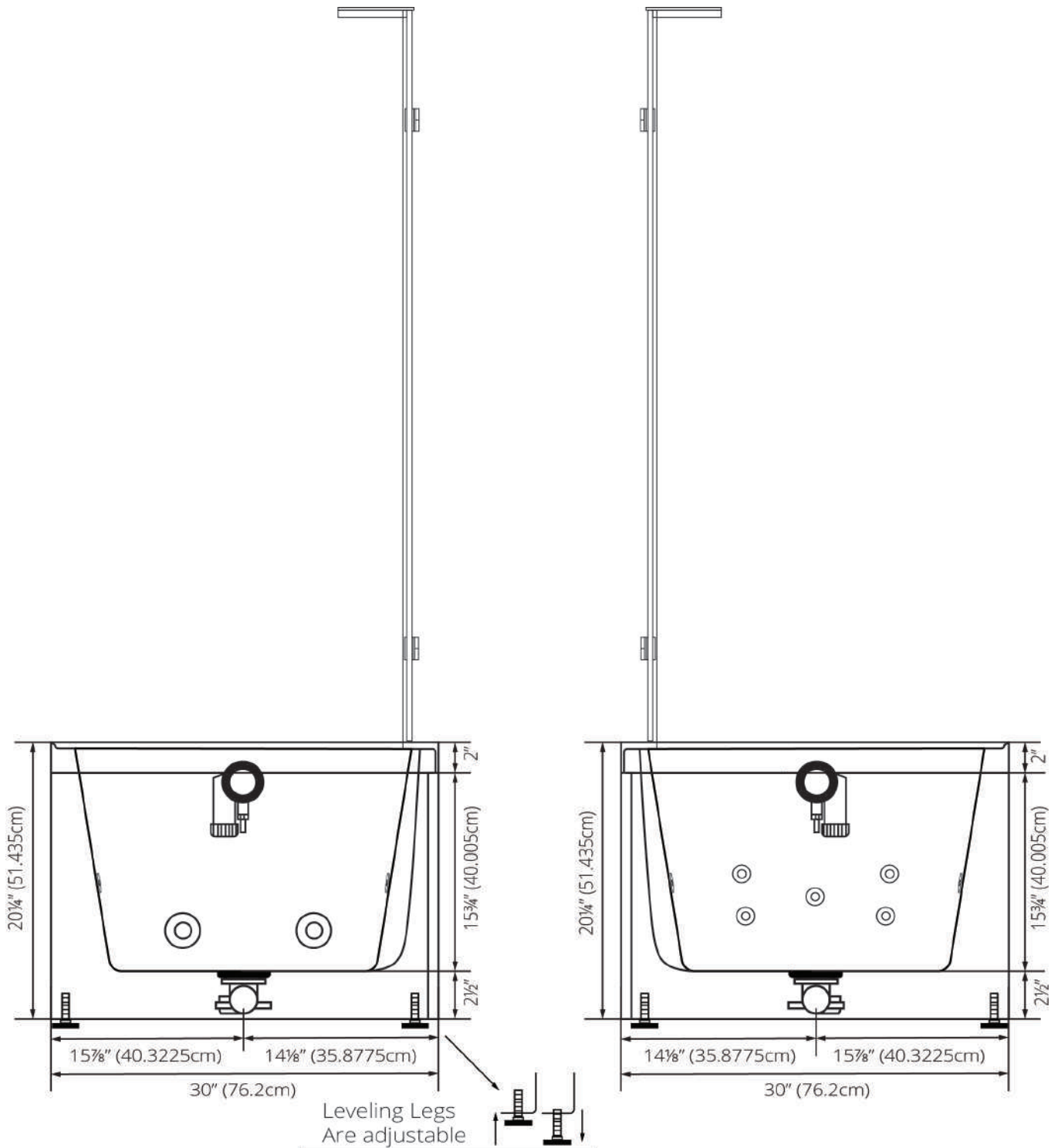
- Glass Shower Screen
- Size 38 1/4" x 57 1/2"

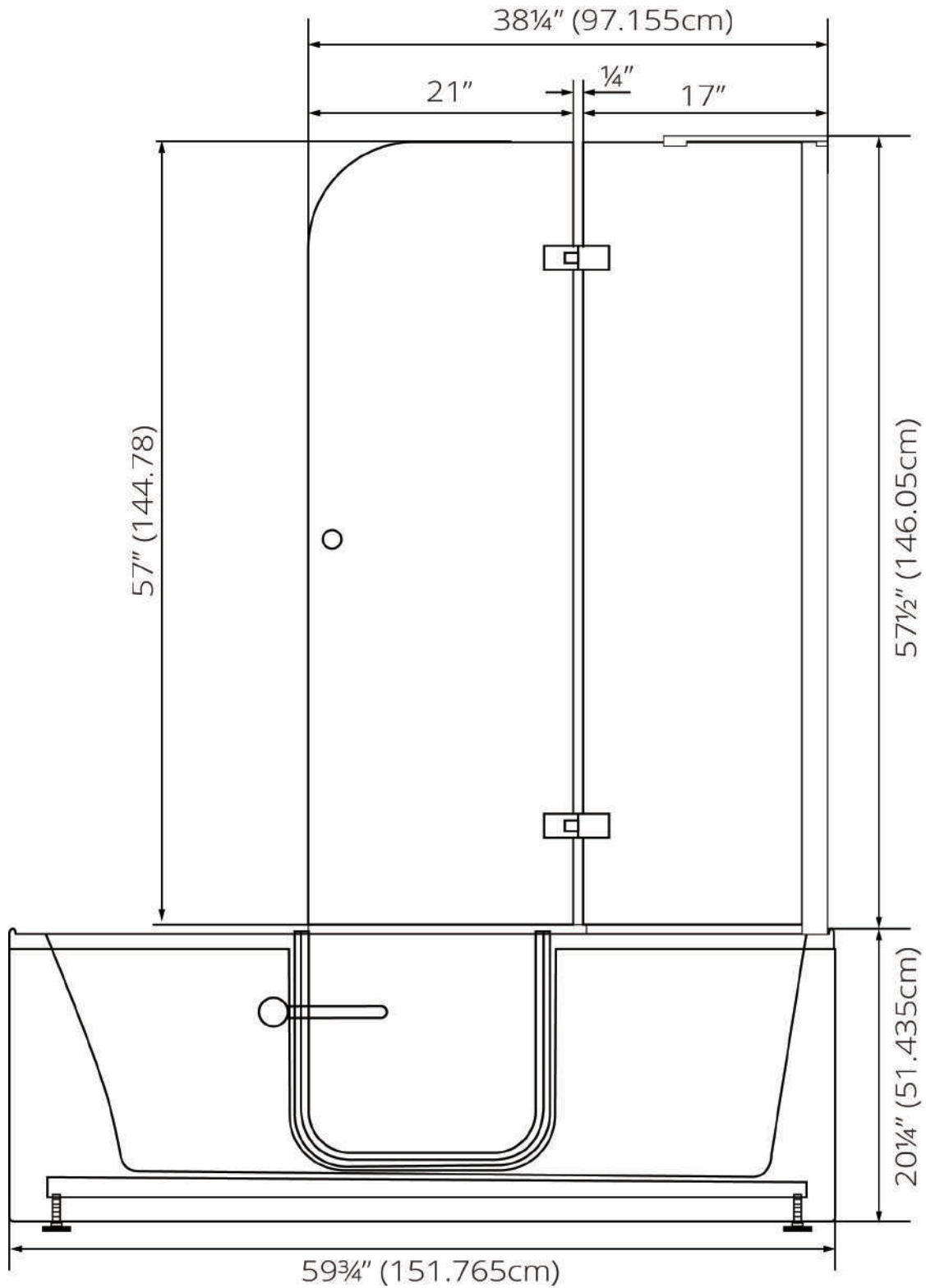


**Warranty:** Lifetime limited warranty on shell, frame, door, and parts to original purchaser/address.

**Note:** Faucet not included. A pre-existing or new wall-mounted faucet must be used.









Glass shower screen needs to align with glass door below to prevent leaks

Shower screen

Bath tub glass door

The gasket needs to point inward towards the tub

